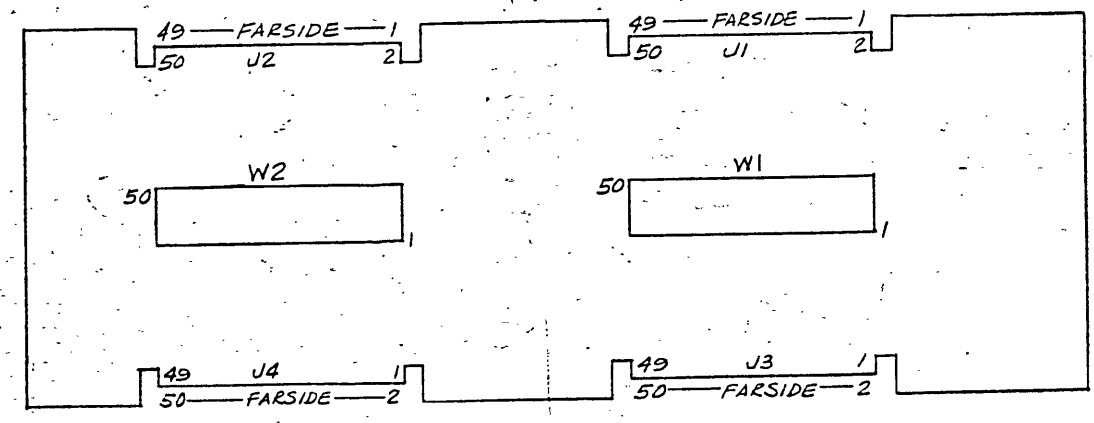
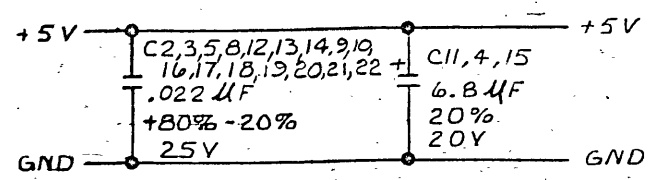
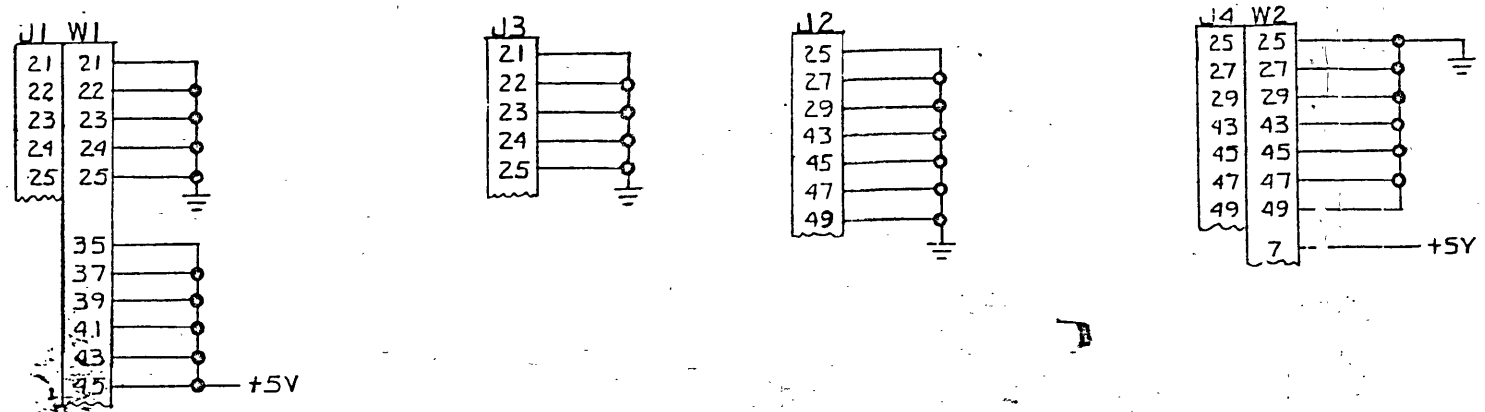


REVISIONS					
REV	DESCRIPTION	DR	CH	DATE	APPROVAL
B0	ENGRG REL	LM	EP	2-77	[Signature]
B1	ADDED C23 ZONE C55	LM	EP	3-77	[Signature]
B2	PILOT REFERENCE 5560R	LM	EP	3-27	[Signature]
B3	INCORPORATE EN 5662H	AD	EA	10-77	[Signature]
B4	INCORPORATE EN 5672H	AD	EA		
B5	INCORPORATE EN 5992H	AD	EA		
B6	INCORPORATE EN 6167H	AD	EA		
B7	PRODUCTION RELEASE PER EN 6174R	AD	EA	4-77	[Signature]



COMPONENT SIDE

SPARE GATES/IC			
REF DESIG.	IC TYPE	UNUSED PINS	
		IN	OUT
9	7404	1,3,13	2,4,12
10	8098	6,12	7,11
12	7416	3,11	4,10
14	74LS05	13,13	2,4,12
16	74LS14	5,11	6,10
17	8098	2,4,10	3,5,7,9
19	74LS38	1,2,15	6,8,11
21	SPARE		
28	74LS14	1,3	2,4
30	8098	2,4	3,5
31	74LS14	1,3	2,4
32	8098	4,6	5,7
36	SPARE		

TABULATION BLOCK	
DASH NO.	DESCRIPTION
-01	BASIC

PROPRIETARY RIGHTS NOTICE  
 THIS DOCUMENT AND INFORMATION THAT IT CONTAINS ARE THE PROPERTY OF COMPUTER AUTOMATION, INC. RIGHTS TO DUPLICATE OR OTHERWISE COPY THIS DOCUMENT AND RIGHTS TO DISCLOSE THE DOCUMENT AND SUCH INFORMATION TO OTHERS AND THE RIGHT TO USE THE INFORMATION CONTAINED THEREIN MAY BE ACCQUIRED ONLY BY WRITTEN PERMISSION SIGNED BY A DULY AUTHORIZED OFFICER OF COMPUTER AUTOMATION, INC.

NOTES UNLESS SPECIFIED		DR.	
1. TOLERANCES	XX .03	CHK.	
	.XXX .010	DSG.	
2. BREAK ALL SHARP EDGES	.010 APPROX.	ENGR.	
3. ALL DIM. IN INCHES			
DASH NO.	NEXT ASSEMBLY		
TITLE		ComputerAutomation	
LOGIC DIAGRAM -			
EXPANSION BUFFER -			
ALPHA LSI			
SIZE	DWG. NO.	REV	
D	75-53708-XX	B7	
DO NOT SCALE DRAWING	SCALE = N.E.	SHT. 1 OF	

5 IC 36, RESISTORS, CAPACITORS, PART TYPES AND VALUES MAY BE ESTABLISHED AND INSTALLED AT A FUTURE REQUIREMENT  
 6 MAY BE INSTALLED AT FUNCTIONAL TEST  
 7 LAST REFERENCE DESIGNATOR USED IC 36, R11, R23, J4, W3, R1  
 8 ALL RESISTOR PACKS ARE 3.3K, ±5%, 1/8W.  
 9 FOR LOGIC DASH NO. SEE TABULATION BLOCK.  
 10 UNLESS OTHERWISE SPECIFIED

75-53708-XX B7

J1	SIGNAL	DIRECTION	LOCATION
01	+5H	BI	A43
02	SPARE	NU	
03	SPARE1	BI	A46
04	SPARE3	BI	A45
05	MST(M)	IN	A24
06	SPARE2	BI	A45
07	RD(M)	IN	C51
08	AB15(M)	IN	C43
09	MAK(M)	IN	A24
10	AB14(M)	IN	B43
11	SLB(M)		C43
12	AB13(M)		D43
13	MDIS(M)		B53
14	EBA(M)		C43
15	PF(D)		A46
16	AB12(M)		D43
17	AB09(M)		C46
18	AB11(M)		C46
19	AB08(M)		C46
20	AB10(M)		B46
21	GND		DB
22			
23			
24			
25	GND		DB
26	SACK(M)	IN	D53
27	STOP(M)	OUT	D54
28	DB01(M)	BI	D40
29	DB00(M)		D40
30	DB15(M)		D32
31	DB03(M)		D32
32	DB14(M)		C32
33	DB02(M)	BI	D32
34	DB17(M)	BI	C32
35	SPARE	NU	
36	DB16(M)	BI	C32
37	SPARE	NU	
38			
39			
40			
41			
42			
43	SPARE	NU	
44	IN(M)	IN	C24
45	SPARE	NU	
46	OUT(M)	IN	C24
47	RST(M)		C20
48	IDCL(M)		D20
49	PLSE(M)		C24
50	CLK(M)	IN	D24

W1	SIGNAL	DIRECTION	LOCATION
01	+5H	BI	A47
02	PRIN(E)	OUT	D54
03	SPARE1	BI	A46
04	SPARE3	BI	A44
05	MST(E)	OUT	A20
06	SPARE2	BI	A44
07	RD(E)	OUT	C51
08	AB15(E)	OUT	C41
09	MAK(E)	IN	A24
10	AB14(E)	OUT	B41
11	SLB(E)		C41
12	AB13(E)		C41
13	MDIS(E)		B51
14	EBA(E)		C41
15	PF(D)		A45
16	AB12(E)		D41
17	AB09(E)		D44
18	AB11(E)		C44
19	AB08(E)		C44
20	AB10(E)	OUT	B44
21	GND	IN	DB
22			
23			
24			
25	GND	IN	DB
26	SACK(E)	OUT	D17
27	STOP(E)	IN	C56
28	DB01(E)	BI	D37
29	DB00(E)		D37
30	DB15(E)		D29
31	DB03(E)		D29
32	DB14(E)		C29
33	DB02(E)	BI	D29
34	DB17(E)	BI	C29
35	+5V	IN	DB
36	DB16(E)	BI	C29
37	+5V	IN	DB
38	SPARE	NU	
39	+5V	IN	DB
40	SPARE	NU	
41	+5V	IN	DB
42	SPARE	NU	
43	+5V	IN	DB
44	IN(E)	OUT	C22
45	+5V	IN	DB
46	OUT(E)	OUT	C22
47	RST(E)		C17
48	IDCL(E)		D17
49	PLSE(E)		C22
50	CLK(E)	OUT	D22

J3	SIGNAL	DIRECTION	LOCATION
01	+5H	BI	A47
02	SPARE	NU	
03	SPARE1	BI	A46
04	SPARE3	BI	A44
05	MST(E)	OUT	A20
06	SPARE2	BI	A44
07	RD(B)	OUT	C51
08	AB15(E)	OUT	C41
09	MAK(B)	IN	A24
10	AB14(B)	OUT	B41
11	SLB(B)		C41
12	AB13(B)		C41
13	MDIS(B)		B51
14	EBA(B)		C41
15	PF(D)		A45
16	AB12(B)		D41
17	AB09(B)		C44
18	AB11(B)		C44
19	AB08(B)		C44
20	AB10(B)	OUT	B44
21	GND	IN	D7
22			
23			
24			
25	GND	IN	D7
26	SACK(B)	OUT	D17
27	STOP(B)	IN	D56
28	DB01(B)	BI	D37
29	DB00(B)		D37
30	DB15(B)		D29
31	DB03(B)		D29
32	DB14(B)		C29
33	DB02(B)	BI	D29
34	DB17(B)	BI	C29
35	SPARE	NU	
36	DB16(B)	BI	C29
37	SPARE	NU	
38			
39			
40			
41			
42			
43	SPARE	NU	
44	IN(B)	OUT	C22
45	SPARE	NU	
46	OUT(B)	OUT	C22
47	RST(B)		C18
48	IDCL(B)		D18
49	PLSE(B)		C22
50	CLK(B)	OUT	D22

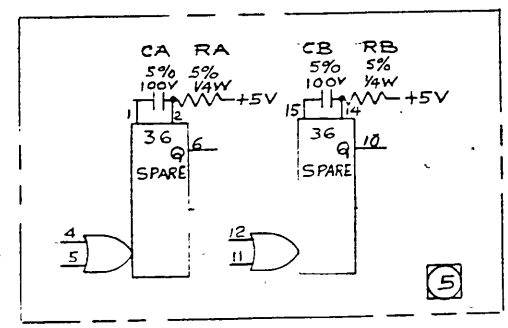
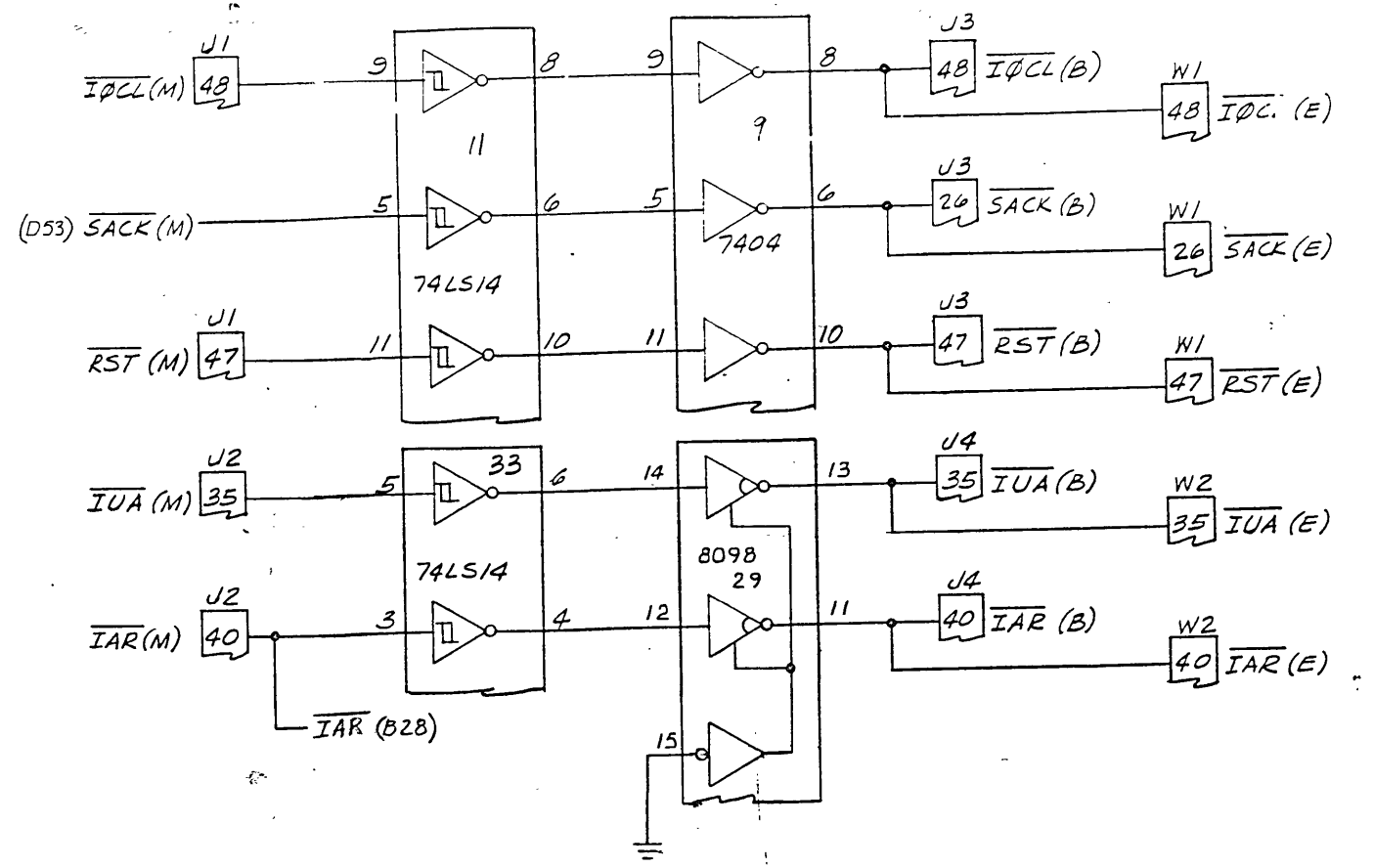
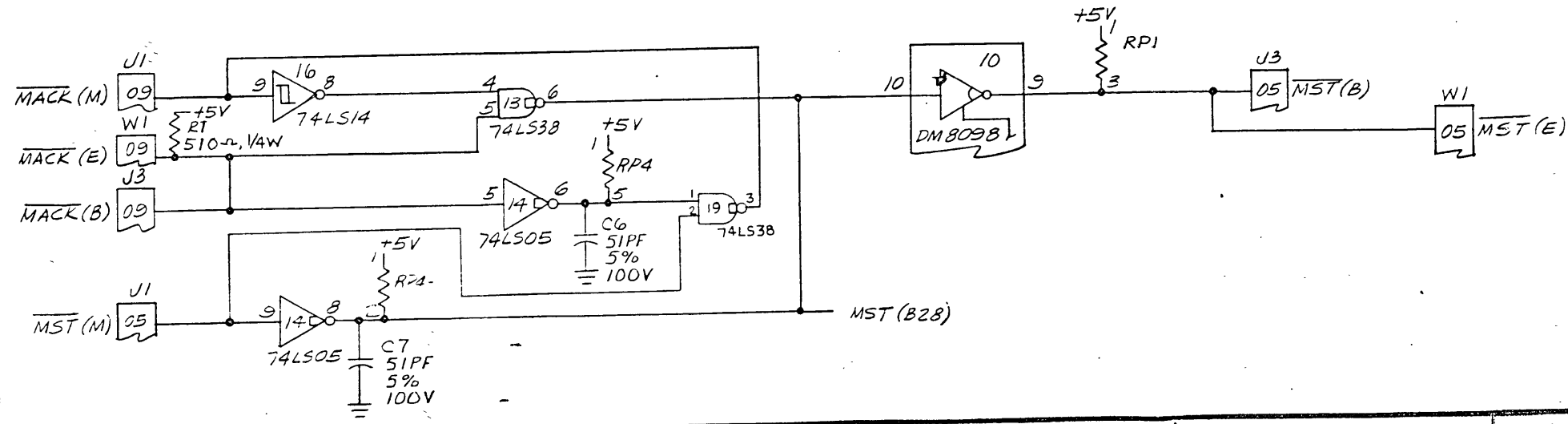
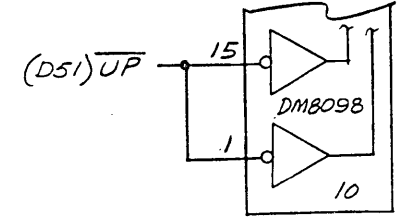
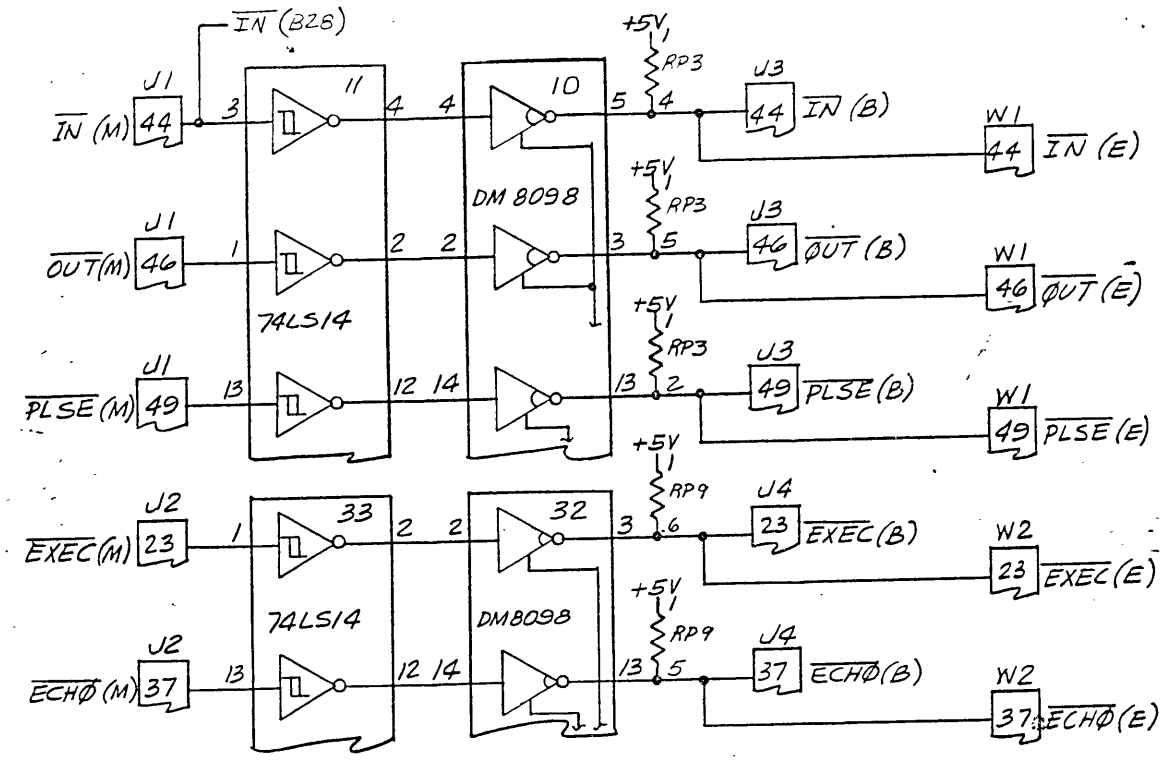
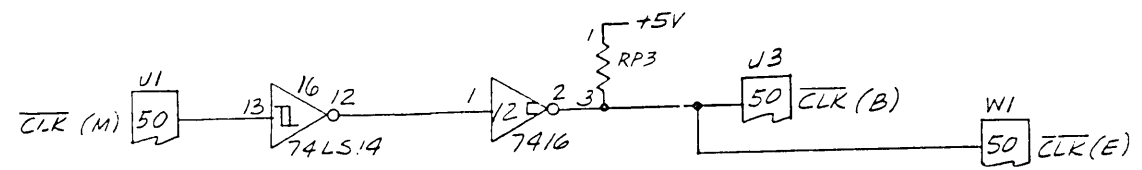
J2	SIGNAL	DIRECTION	LOCATION
01	SPARE	NU	
02	DB04(M)	BI	C36
03	DPPT(M)	IN	D51
04	DB00(M)	BI	D36
05	SPARE	NU	
06	DB03(M)	BI	D36
07	SPARE	NU	
08	DB10(M)	BI	C32
09	DB05(M)	BI	C41
10	DB12(M)	BI	D41
11	DB07(M)	BI	C33
12	SPARE	NU	
13	DB02(M)	BI	D36
14	AB02(M)	IN	D46
15	DB11(M)	BI	C36
16	AB06(M)	IN	D42
17	DB13(M)	BI	D40
18	SPARE	NU	
19	SPARE	NU	
20	AB05(M)	IN	C48
21	SPARE	NU	
22	SPARE	NU	
23	EXEC(M)	IN	B24
24	SPARE	NU	
25	GND	IN	D6
26	SER(M)	OUT	C51
27	GND	IN	D6
28	SPARE	NU	
29	GND	IN	D6
30	AB04(M)	IN	C42
31	ILI(M)	OUT	B54
32	SPARE	AU	
33	IUR(M)	OUT	A54
34	SPARE	NU	
35	IUA(M)	IN	C20
36	SPARE	NU	
37	ECHO(M)	IN	B24
38	IL2(M)	OUT	A54
39	AB00(M)	IN	C48
40	IAR(M)	IN	C20
41	AB01(M)	IN	C48
42	SPARE	NU	
43	GND	IN	D6
44	AB03(M)		B43
45	GND		D6
46	AB07(M)		D48
47	GND		D6
48	PRDT(M)		D51
49	GND		D6
50	AB02(M)	IN	H42

W2	SIGNAL	DIRECTION	LOCATION
01	DPIN(E)	IN	D52
02	DB04(E)	BI	C37
03	DPPT(E)	IN	D52
04	DB00(E)	BI	D38
05	AB15(E)	OUT	H47
06	DB03(E)	BI	D38
07	+5V	IN	D5
08	DB10(E)	BI	C37
09	DB05(E)	BI	C41
10	DB12(E)	BI	D37
11	DB07(E)	BI	D33
12	SPARE	NU	
13	DB02(E)	BI	D37
14	AB02(E)	BI	D44
15	DB11(E)	BI	C33
16	AB06(E)	OUT	C44
17	DB13(E)	BI	D37
18	SPARE	NU	
19	SPARE	NU	
20	AB05(E)	OUT	C47
21	SPARE	NU	
22	SPARE	NU	
23	EXEC(E)	OUT	B22
24	SPARE	NU	
25	GND	IN	D5
26	SER(E)	IN	C56
27	GND	IN	D5
28	SPARE	NU	
29	GND	IN	D5
30	AB04(E)	OUT	C47
31	ILI(E)	IN	H56
32	SPARE	NU	
33	IUR(E)	IN	B56
34	SPARE	NU	
35	IUA(E)	OUT	C17
36	SPARE	NU	
37	ECHO(E)	OUT	B22
38	IL2(E)	IN	H56
39	AB00(E)	OUT	C47
40	IAR(E)	OUT	C17
41	AB01(E)	OUT	B47
42	SPARE	NU	
43	GND	IN	D5
44	AB03(E)	OUT	B47
45	GND	IN	D5
46	AB07(E)	OUT	D47
47	GND	IN	D5
48	PRDT(E)	IN	D52
49	GND	IN	D5
50	AB02(E)	IN	H48

J4	SIGNAL	DIRECTION	LOCATION
01	SPARE	NU	
02	DB04(B)	BI	C37
03	DPIN(B)	OUT	D51
04	DB00(B)	BI	D34
05	SPARE	NU	
06	DB03(B)	BI	D34
07	SPARE	NU	
08	DB10(B)	BI	C37
09	DB05(B)	BI	C41
10	DB12(B)	BI	D37
11	DB07(B)	BI	D33
12	SPARE	NU	
13	DB02(B)	BI	D37
14	AB02(B)	OUT	D44
15	DB11(B)	BI	C34
16	AB06(B)	OUT	D44
17	DB13(B)	BI	D37
18	SPARE	NU	
19	SPARE	NU	
20	AB05(B)	OUT	C47
21	SPARE	NU	
22	SPARE	NU	
23	EXEC(B)	OUT	B22
24	SPARE	NU	
25	GND	IN	D5
26	SER(B)	IN	C56
27	GND	IN	D5
28	SPARE	NU	
29	GND	IN	D5
30	AB04(B)	OUT	D47
31	ILI(B)	IN	B56
32	SPARE	NU	
33	IUR(B)	IN	B56
34	SPARE	NU	
35	IUA(B)	OUT	C17
36	SPARE	NU	
37	ECHO(B)	OUT	B22
38	IL2(B)	IN	H56
39	AB00(B)	OUT	C47
40	IAR(B)	OUT	C17
41	AB01(B)	OUT	C47
42	SPARE	NU	
43	GND	IN	D5
44	AB03(B)	OUT	B47
45	GND	IN	D5
46	AB07(B)	OUT	D47
47	GND	IN	D5
48	PRDT(B)	OUT	D54
49	GND	IN	D5
50	AB02(B)	OUT	A47

PROPRIETARY RIGHTS NOTICE  
 THIS DOCUMENT AND INFORMATION THAT IT CONTAINS ARE THE PROPERTY OF COMPUTER AUTOMATION, INC. RIGHTS TO DUPLICATE OR OTHERWISE COPY THIS DOCUMENT AND RIGHTS TO DISCLOSE THE INFORMATION AND DOCUMENTATION CONTAINED THEREIN, MAY BE ACQUIRED ONLY BY WRITTEN PERMISSION SIGNED BY A DULY AUTHORIZED OFFICER OF COMPUTER AUTOMATION, INC.

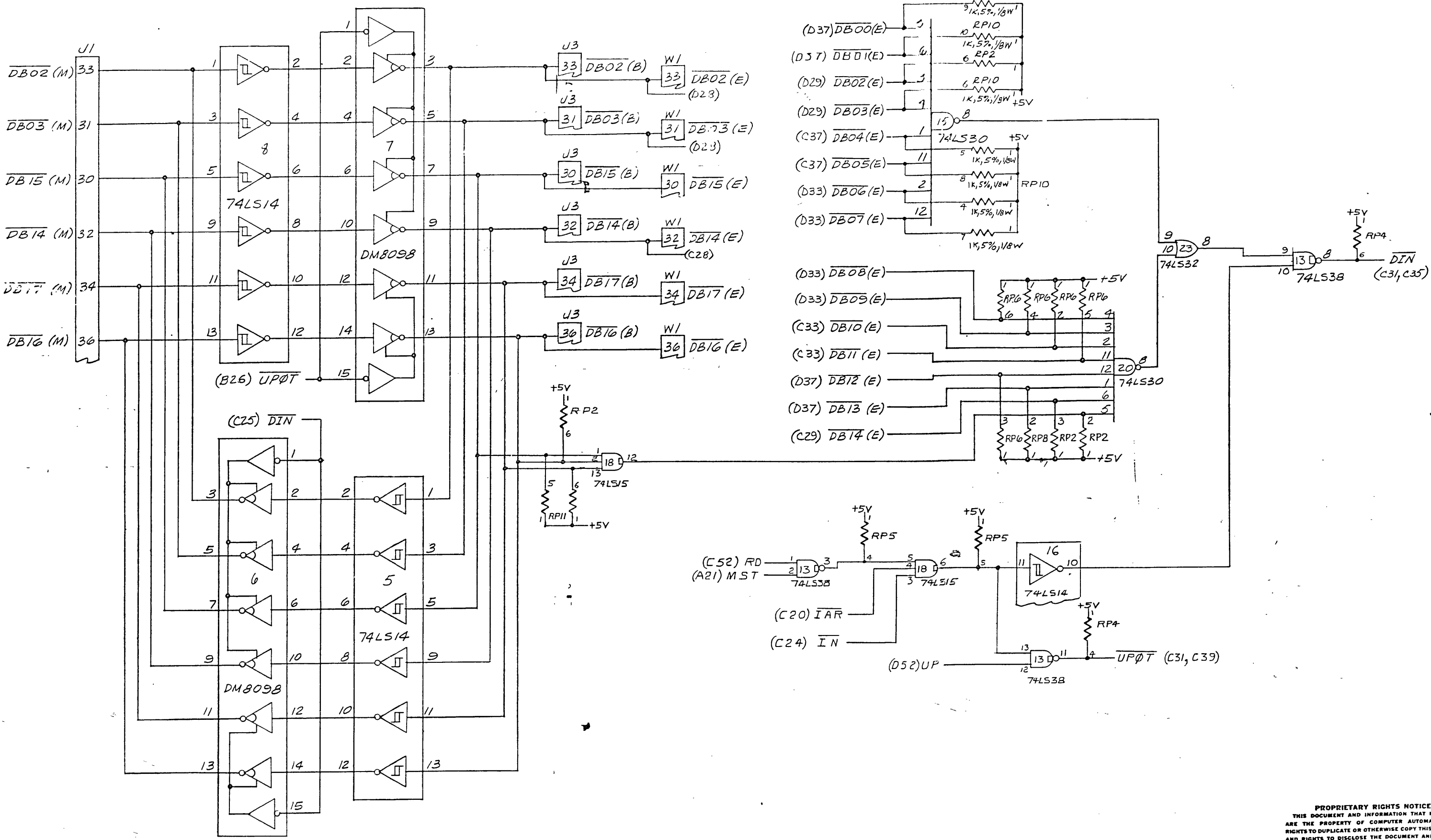
SIZE	D	75-53708-XX	REV	B7.
SHT. 2 OF				



PROPRIETARY RIGHTS NOTICE  
 THIS DOCUMENT AND INFORMATION THAT IT CONTAINS ARE THE PROPERTY OF COMPUTER AUTOMATION, INC. RIGHTS TO DUPLICATE OR OTHERWISE COPY THIS DOCUMENT AND RIGHTS TO DISCLOSE THE DOCUMENT AND SUCH INFORMATION TO OTHERS AND THE RIGHT TO USE THE INFORMATION CONTAINED THEREIN, MAY BE ACQUIRED ONLY BY WRITTEN PERMISSION SIGNED BY A DULY AUTHORIZED OFFICER OF COMPUTER AUTOMATION, INC.

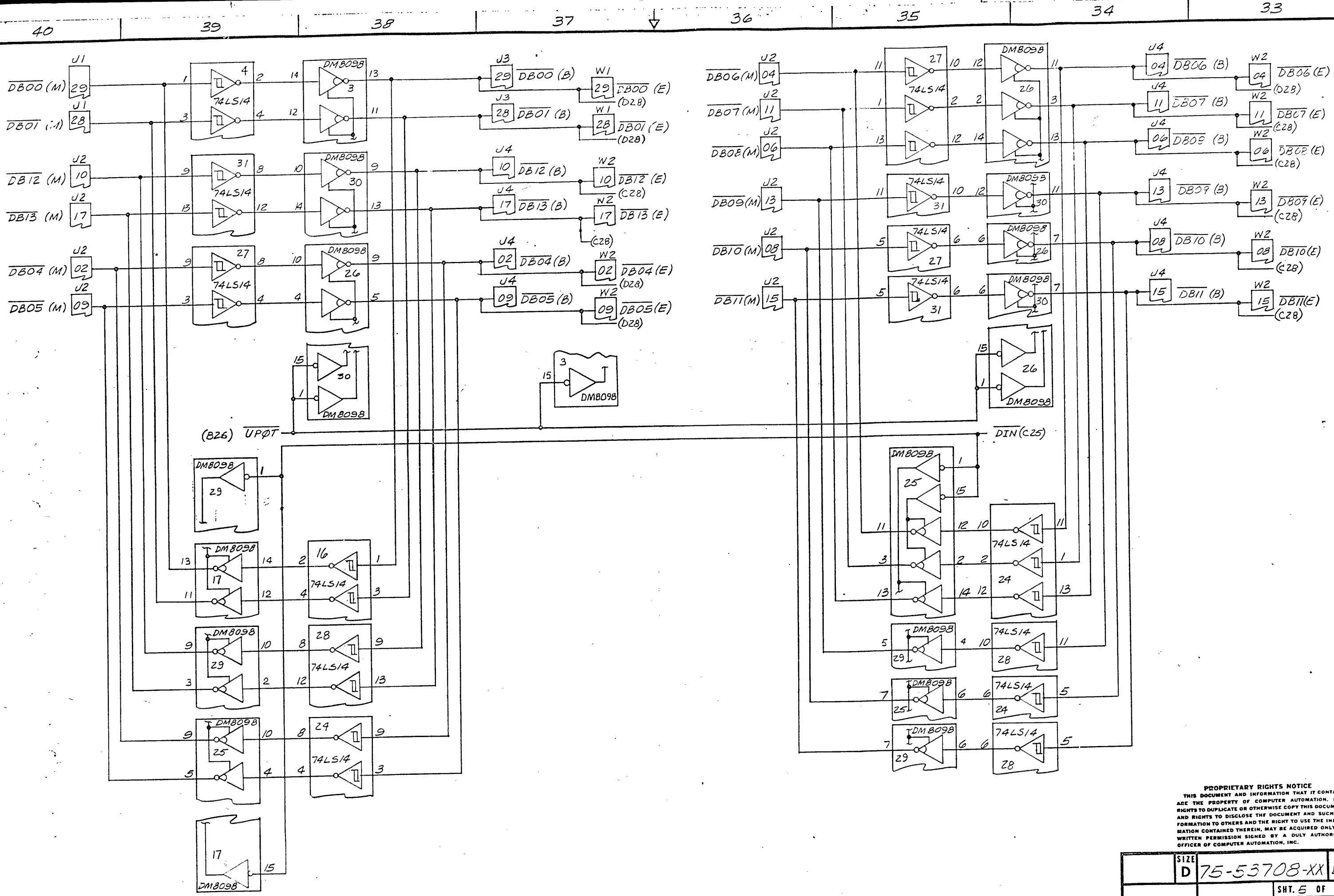
SIZE	D	REV	37
75-53708-XX		SHT. 3 OF	

75-53708-X1-B7



PROPRIETARY RIGHTS NOTICE  
 THIS DOCUMENT AND INFORMATION THAT IT CONTAINS ARE THE PROPERTY OF COMPUTER AUTOMATION, INC. RIGHTS TO DUPLICATE OR OTHERWISE COPY THIS DOCUMENT AND RIGHTS TO DISCLOSE THE DOCUMENT AND SUCH INFORMATION TO OTHERS AND THE RIGHT TO USE THE INFORMATION CONTAINED THEREIN, MAY BE ACQUIRED ONLY BY WRITTEN PERMISSION SIGNED BY A DULY AUTHORIZED OFFICER OF COMPUTER AUTOMATION, INC.

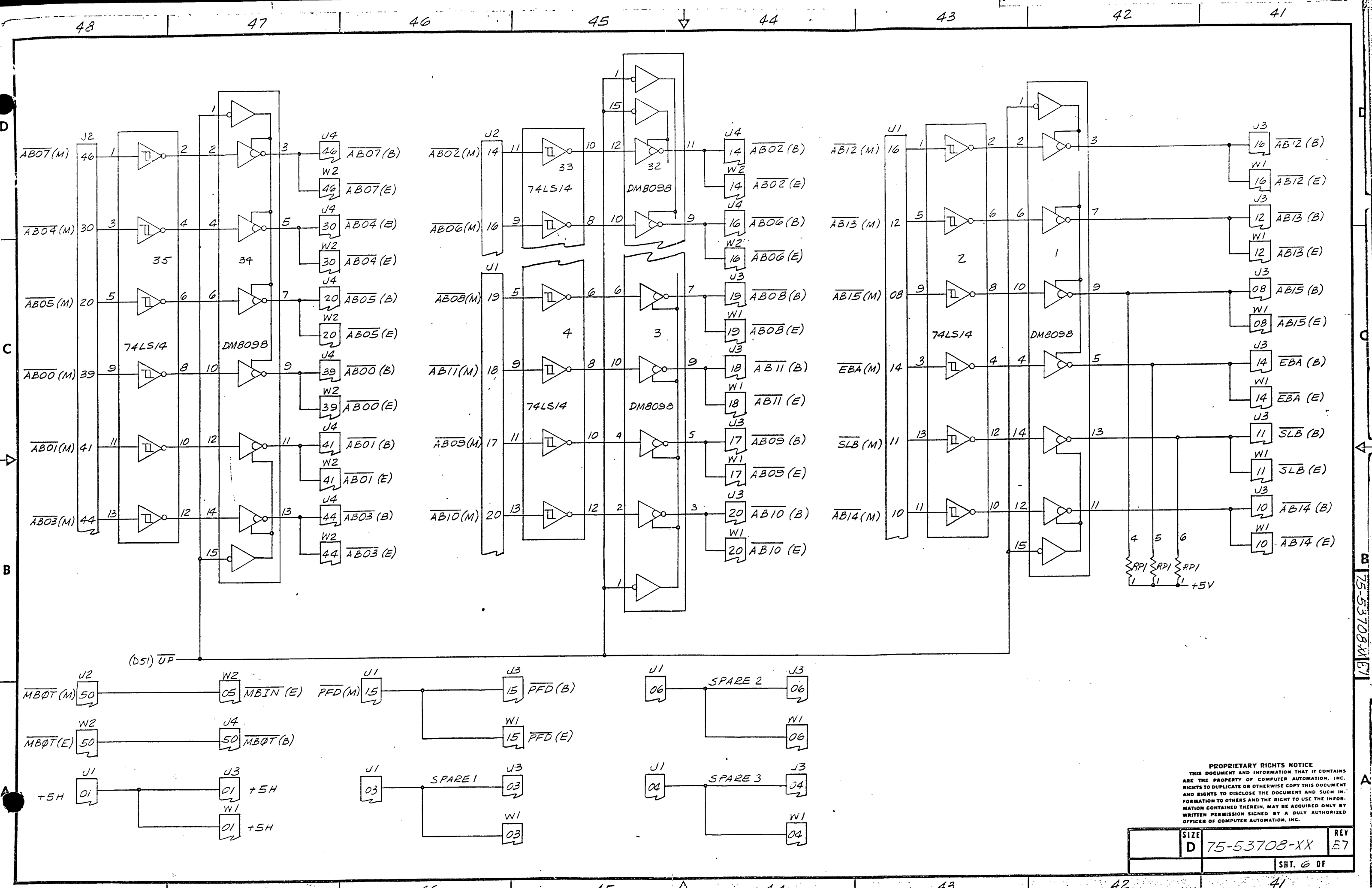
SIZE	D	REV	B7
75-53708-XX		B7	
SHT. 4 OF			



PROPRIETARY RIGHTS NOTICE  
 THIS DOCUMENT AND INFORMATION THAT IT CONTAINS ARE THE PROPERTY OF COMPUTER AUTOMATION, INC. RIGHTS TO DUPLICATE OR OTHERWISE COPY THIS DOCUMENT AND RIGHTS TO DISCLOSE THE DOCUMENT AND SUCH INFORMATION TO OTHERS AND THE RIGHT TO USE THE INFORMATION CONTAINED THEREIN, MAY BE ACQUIRED ONLY BY WRITTEN PERMISSION SIGNED BY A DULY AUTHORIZED OFFICER OF COMPUTER AUTOMATION, INC.

SIZE	D	75-53708-XX	REV	E7
			SHT. 5 OF	

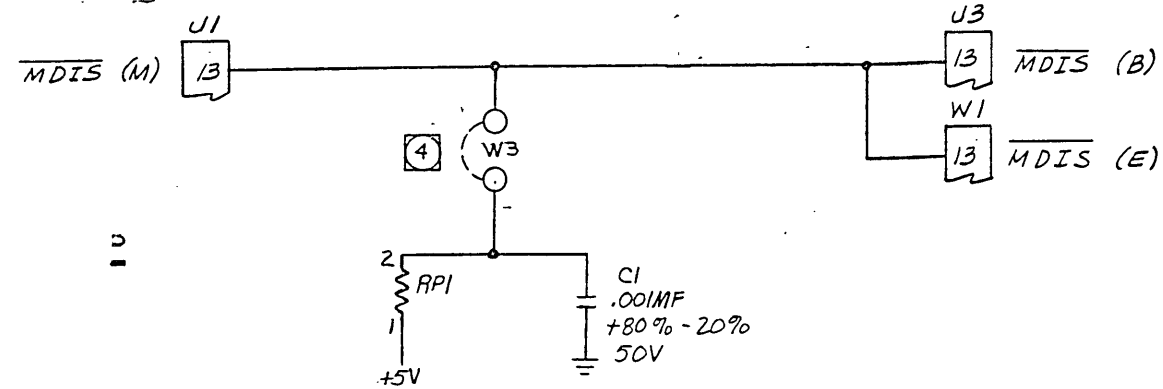
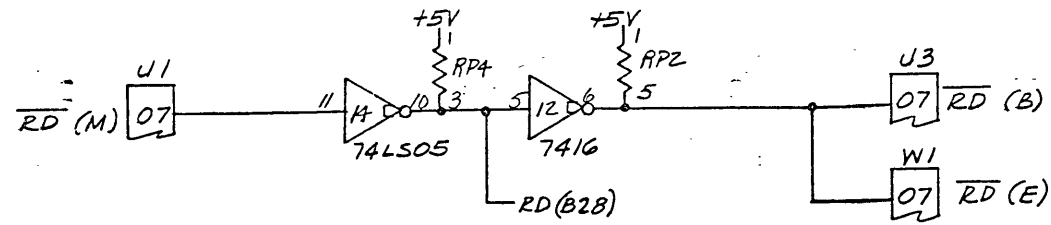
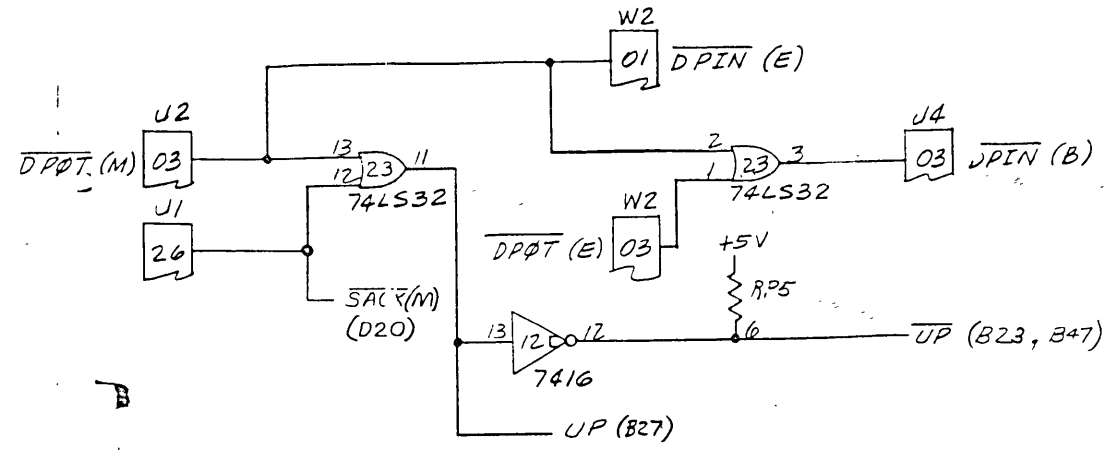
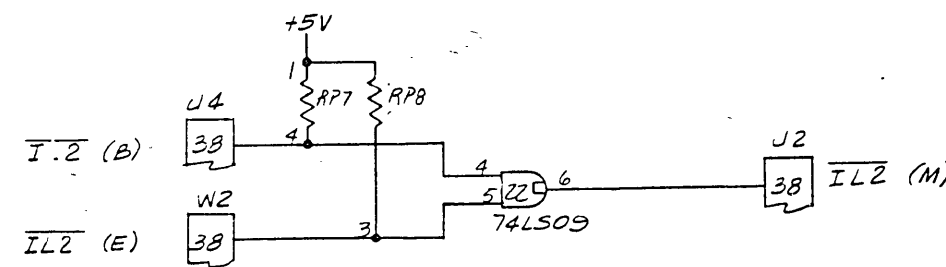
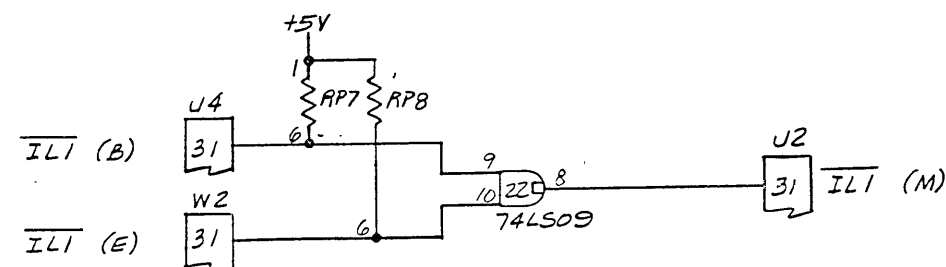
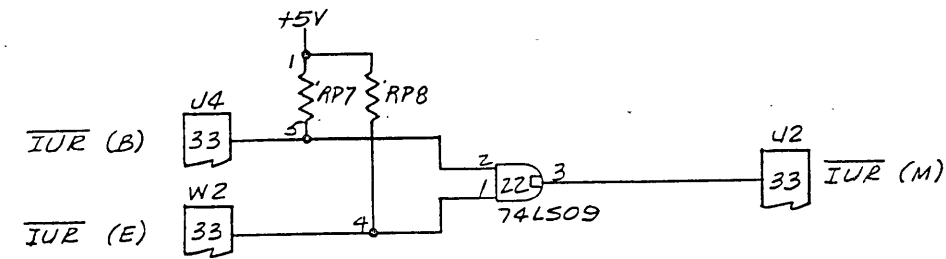
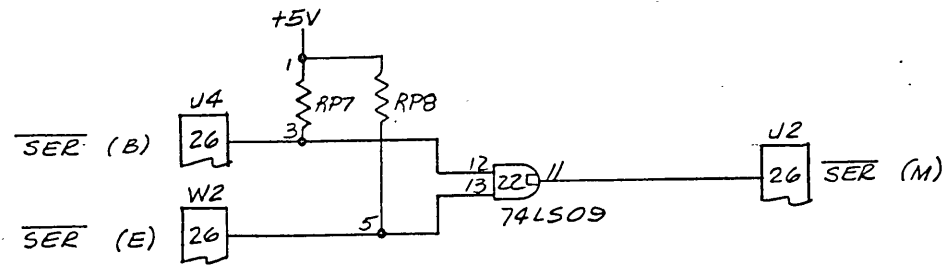
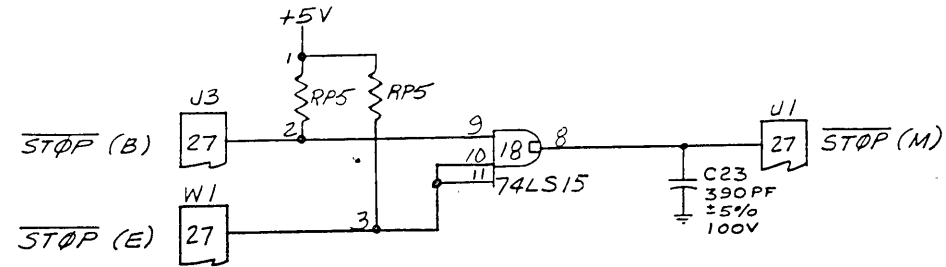
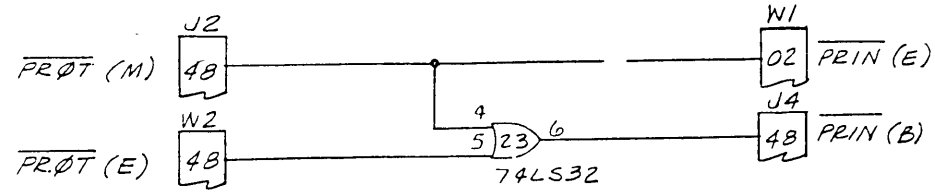
75-53708-XX-17



PROPRIETARY RIGHTS NOTICE  
 THIS DOCUMENT AND INFORMATION THAT IT CONTAINS ARE THE PROPERTY OF COMPUTER AUTOMATION, INC. RIGHTS TO DUPLICATE OR OTHERWISE COPY THIS DOCUMENT AND RIGHTS TO DISCLOSE THE DOCUMENT AND SUCH INFORMATION TO OTHERS AND THE RIGHT TO USE THE INFORMATION CONTAINED THEREIN, MAY BE ACQUIRED ONLY BY WRITTEN PERMISSION SIGNED BY A DULY AUTHORIZED OFFICER OF COMPUTER AUTOMATION, INC.

SIZE	D	75-53708-XX	REV	E7
				SHT. 6 OF

75-53708-XX E7



PROPRIETARY RIGHTS NOTICE  
 THIS DOCUMENT AND INFORMATION THAT IT CONTAINS ARE THE PROPERTY OF COMPUTER AUTOMATION, INC. RIGHTS TO DUPLICATE OR OTHERWISE COPY THIS DOCUMENT AND RIGHTS TO DISCLOSE THE DOCUMENT AND SUCH INFORMATION TO OTHERS AND THE RIGHT TO USE THE INFORMATION CONTAINED THEREIN, MAY BE ACQUIRED ONLY BY WRITTEN PERMISSION SIGNED BY A DULY AUTHORIZED OFFICER OF COMPUTER AUTOMATION, INC.

SIZE	75-53708-XX	REV	B7
D		SHT. 7 OF	

75-53708-X B7